



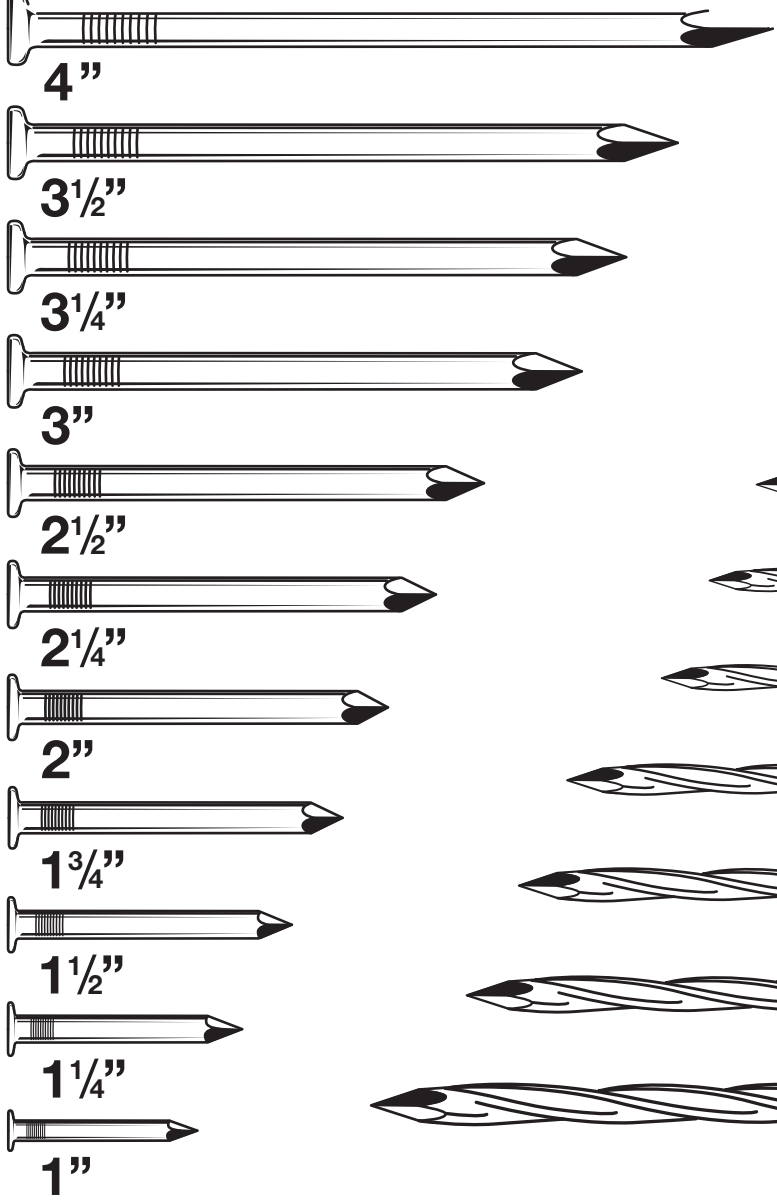
MEETS
ASTM F1667,
ASTM C514,
ASTM A153

NAILS

ISO 9001
CERTIFIED

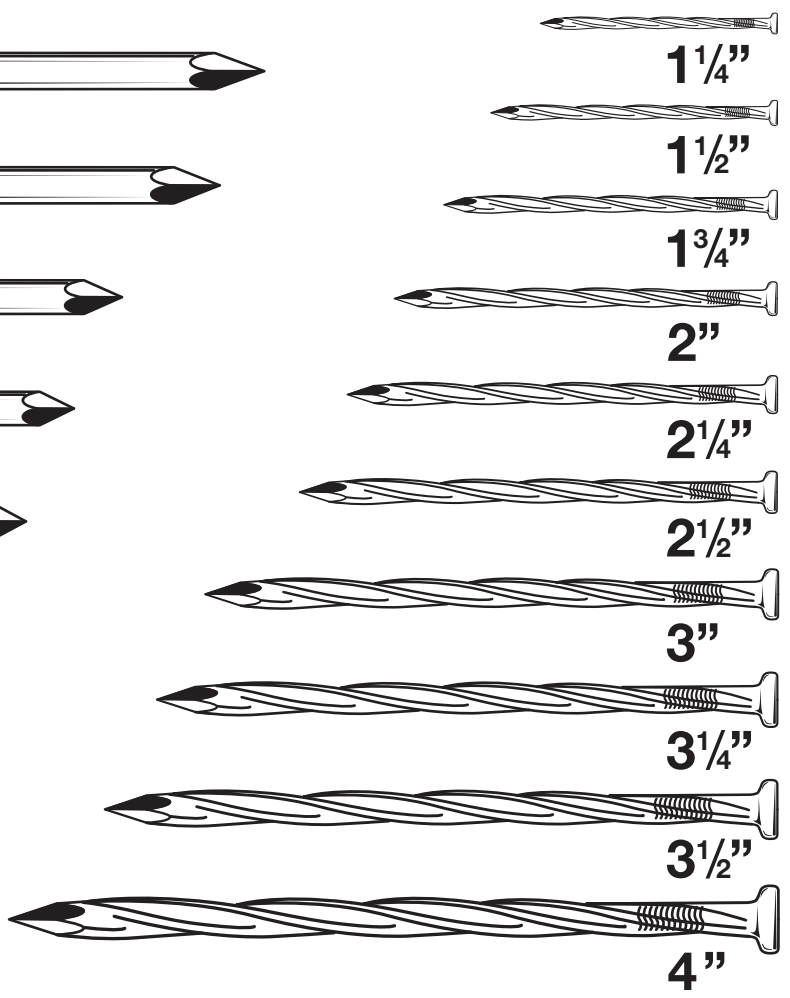
COMMON 1" - 6"

Bright, Hot Galvanized



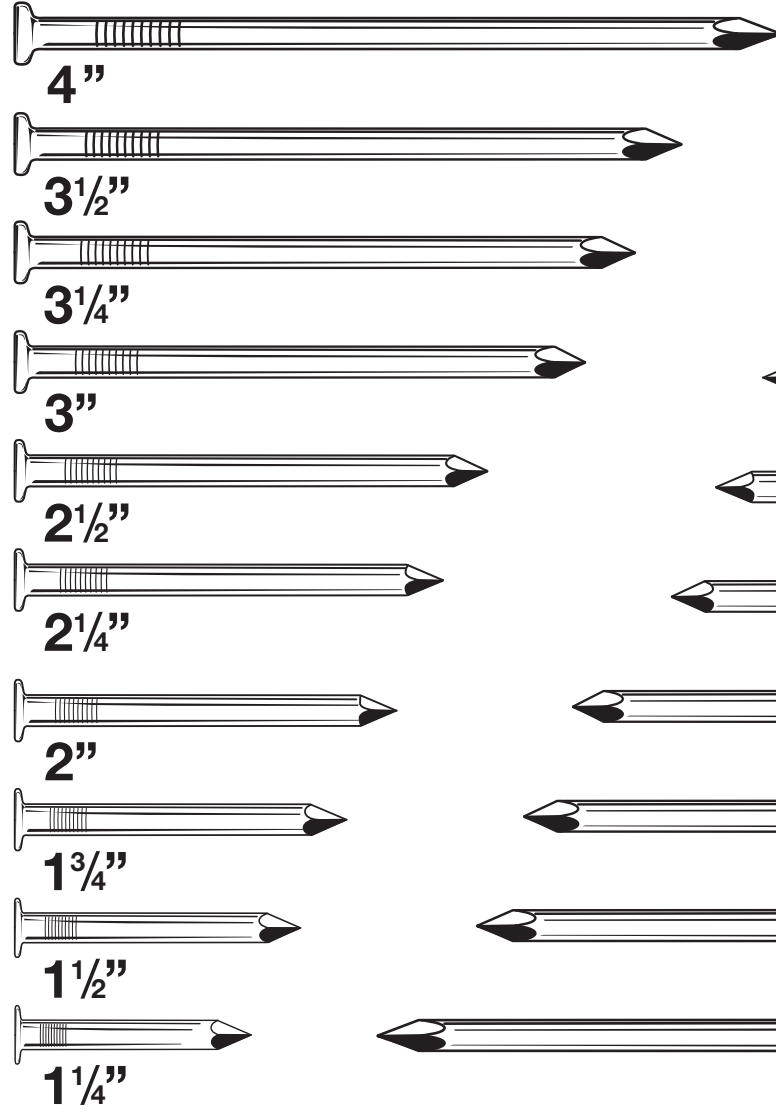
SPIRAL STANDARD 1 1/4" - 6"

Bright, Hot Galvanized



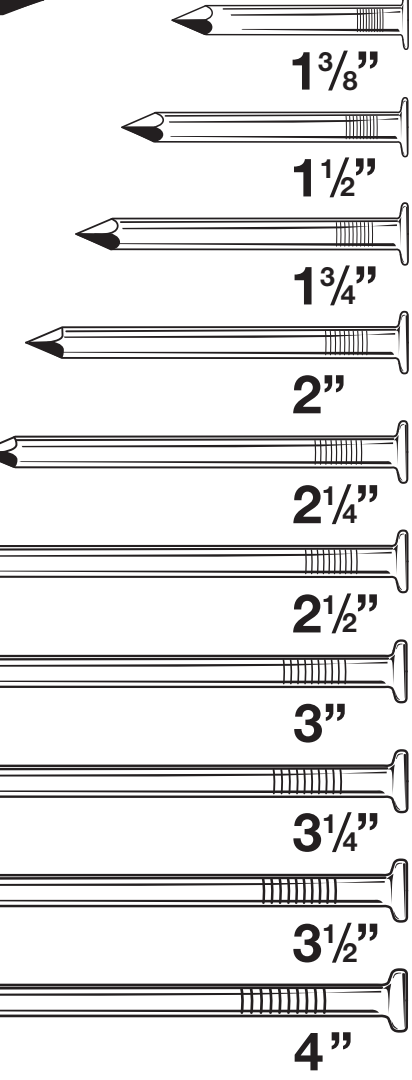
BOX 1 1/4" - 5"

Hot Galvanized, Electro Galvanized, Phosphate Coated, Vinyl



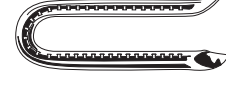
SINKER 1 1/8" - 5 3/4"

Vinyl Coated



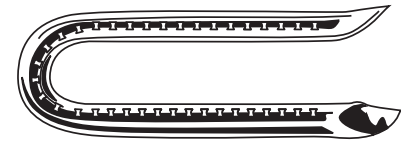
POULTRY NETTING STAPLES 3/4" - 7/8"

Electro Galvanized



FENCE STAPLES* 1" - 2"

Hot Galvanized, Electro Galvanized



* Available in Barbed and Non Barbed

RINGED UNDERLAY FLOORING 1 1/4" - 2 3/8"

Bright



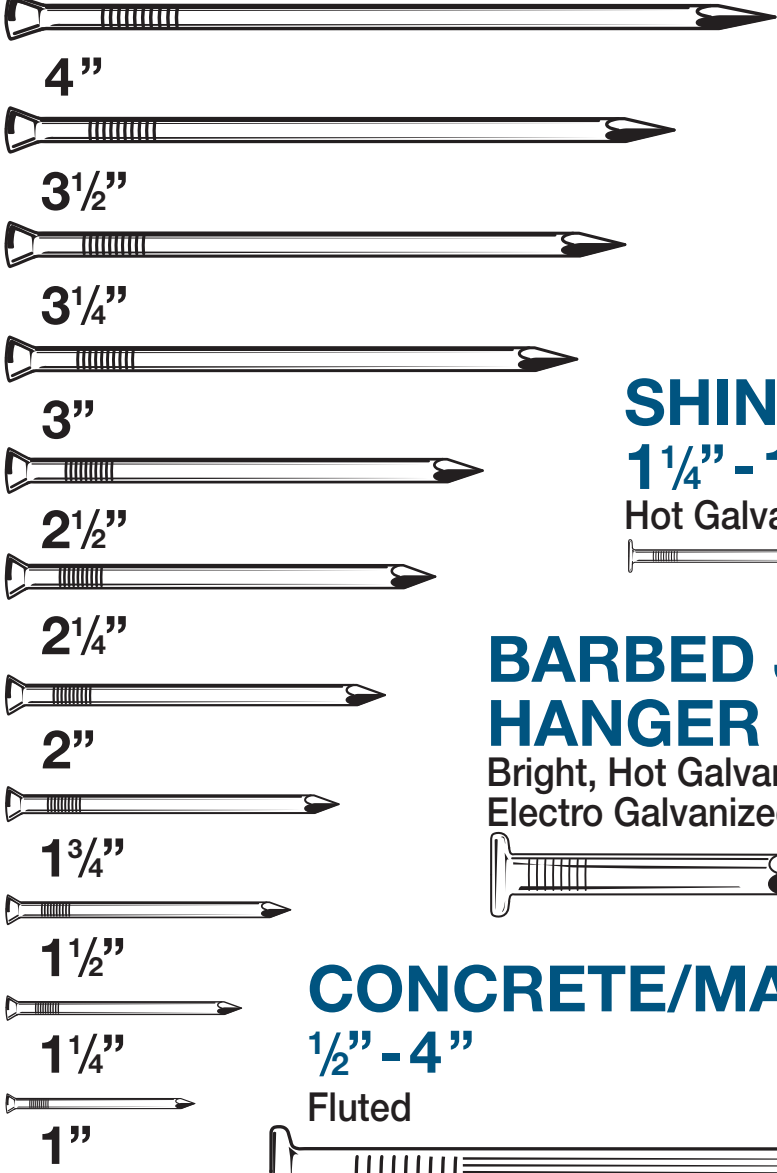
HARDWOOD FLOORING 1 1/4" - 1 3/4"

Bright



CASING 1" - 4"

Hot Galvanized



SHINGLE 1 1/4" - 1 1/2"

Hot Galvanized, Blued



BARBED JOIST HANGER 1 1/4" - 2"

Bright, Hot Galvanized, Electro Galvanized



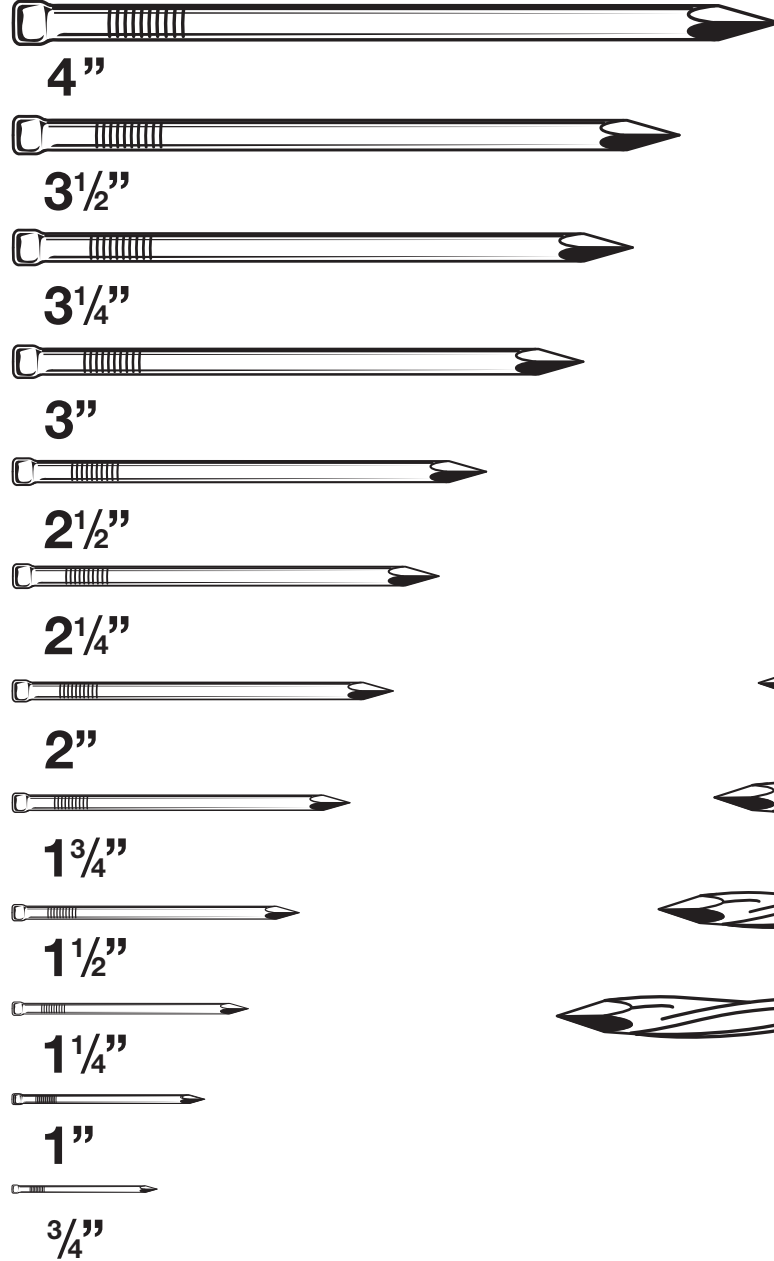
CONCRETE/MASONRY 1/2" - 4"

Fluted



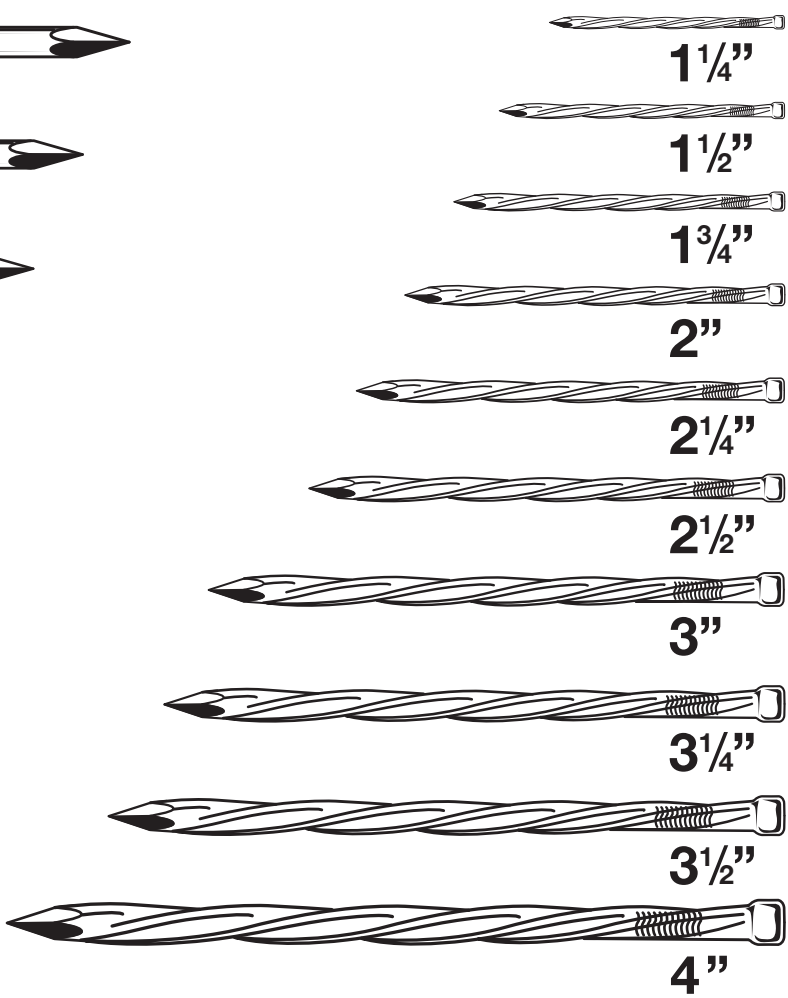
FINISH 3/4" - 5"

Bright, Hot Galvanized



SPIRAL FINISH 1 1/4" - 6"

Bright, Hot Galvanized



RINGED NEOPRENE ROOFING 1 1/2" - 2 1/2"

Hot Galvanized, Electro Galvanized



ROOFING 10 Ga 1" - 4"

Bright, Hot Galvanized, Electro Galvanized



ROOFING 11 Ga 3/4" - 3 1/4"

Hot Galvanized, Electro Galvanized



ROOFING 12 Ga 3/4" - 3"

Electro Galvanized



PLASTIC CAP ROOFING

Green Round Top, Ringed



LATH 1 1/8" - 1 1/4"

Blued



SPIRAL SIDING 2" - 3 1/2"

Bright, Hot Galvanized



OVALHEAD SIDING 2" - 4"

Bright, Hot Galvanized



RINGED POLE BARN 4" - 6"

Bright, Hot Galvanized



SPIRAL OVALHEAD SIDING 2" - 3 1/2"

Bright, Hot Galvanized



SPIRAL FRAMING 2" - 3 1/2"

Bright, Hot Galvanized



DUPLIX 1 1/2" - 4"

Bright



GYPHUM LATH 1 1/4"

Blued



RINGED WALLBOARD 1 1/4" - 2"

Electro Galvanized, Blued



SPIRAL PAC-DECK 8"

Bright, Hot Galvanized



SPIRAL SPIKE 6" - 12"

Bright, Hot Galvanized

COMMON SPIKE 6" - 14"

Bright, Hot Galvanized



DISTRIBUTED BY:

Canada:

1 (800) 663-0955

USA:

1 (800) 255-6974

AVAILABLE IN BULK CARTONS AND PACKAGED NAILS. ASK ABOUT COLLATED NAILS FROM TREE ISLAND HALSTEEL.

www.treeisland.com

ZincGard™
HOT DIPPED
GALVANIZED

Recommended for
ACQ Treated Lumber
or where corrosion
is an issue.